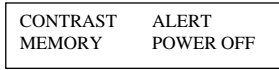


**To Switch Pager ON**

Press and hold down Reading button for 6 seconds. The "TUNSTALL TELECOM" message will appear and the vibration alert will activate for several seconds.

**To Switch Pager OFF**

Repeatedly press Selection button until pager display shows:

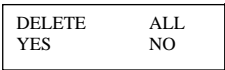


Use left and right buttons to choose POWER OFF – text will begin to flash. Press Reading button to switch pager off.

CAUTION – switching pager OFF will mean no pager messages are received.

**Receiving a Pager Message**

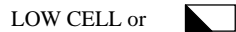
On receipt of a message, the pager will vibrate and the new message will be automatically displayed on the pager display. Once the message has been read, it can be deleted by pressing the Selection button twice to enter the following display:



Use left and right buttons to choose YES – text will begin to flash. Press Reading button to delete message.

**Battery Management**

If the low battery indicators appear on the pager display:



the pager battery must be replaced as soon as possible – the pager will stop working if the battery is too weak to support it.

The battery can be replaced following the procedure below:

1. Switch pager off (see above)
2. Unlock battery cover, slide off the battery compartment cover and remove the old battery – dispose of the old battery in accordance with local regulations.
3. Put a new alkaline AAA battery into the compartment - ensure correct polarity.
4. Replace the battery compartment cover and lock the battery cover.
5. Switch on the pager (see above)

All the reassurance you need



**Tunstall Home Alert Pager System**

**Installation and User Manual**



**Functionality**

The Tunstall Home Alert Pager System is an optional add-on for the Tunstall Lifeline 4000+ alarm unit that allows an on-site carer to be paged in the event of an alarm being raised by the LL4000+.

The system comprises a Pager Transmitter (9000/60A), which is triggered via the relay output of the LL4000+, and one or more Pager Receivers (9000/69A) which are issued to carers as appropriate.

In the event of an alarm being raised on the LL4000+, the pager transmitter will page the pager receiver which will vibrate (or beep, depending on configuration) to alert the carer and display "ALARM CALL".

On receipt of the pager message, the carer can verify the exact type of call by means of the LL4000+ display and then cancel the alarm call using the Cancel button (within the programmed pre-alarm delay time).

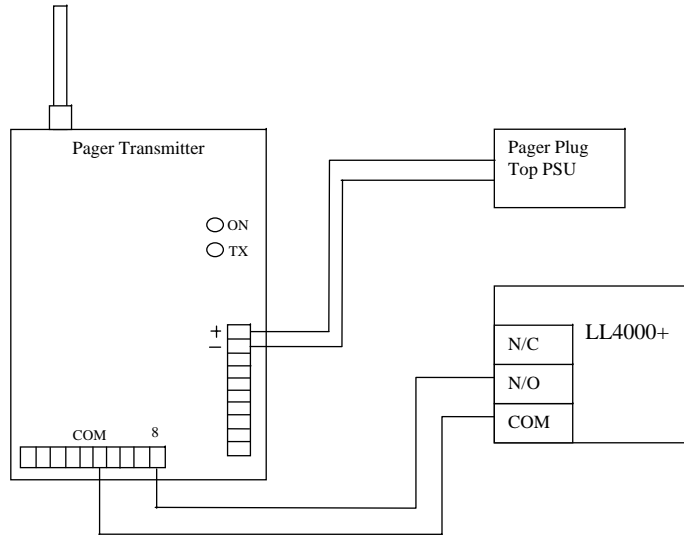
The LL4000+ is programmed to send the call off-site, according to the standard call sequences, if the carer does not cancel the call within the configurable (0-60 seconds) pre-alarm delay time.

- IMPORTANT – the Tunstall Home Alert Pager system is mains powered, via a plug top PSU, and will cease to operate in the event of a mains failure. In this event, the LL4000+ will continue to operate on internal batteries and will route alarm calls off-site (after the pre-alarm delay period has expired).

If the LL4000+ is to be configured using local programming the relevant parameter numbers and digit values are given below: -

**Installation**

The pager transmitter is triggered by means of the relay output of the LL4000+ and powered from the mains using a plug top transformer. The Pager Transmitter should be sited indoors, at roof level (if possible) and at least 2m away from other equipment to minimise the risk of electrical interference. The following diagram illustrates the wiring interconnections between the LL4000+ and the Pager Transmitter:



Ensure that the correct polarity is observed on the pager plug top PSU and that all cables are strain relieved as appropriate using tie wraps or similar.

**Configuration**

No configuration of the Pager Transmitter or Pager Receiver(s) is required. The LL4000+ requires configuration to suit the needs of the client and carer.

The LL4000+ can be configured to generate a pager message before dialling the alarm recipient for each source of an alarm call.

To do this the LL4000+ must be configured for two events:

- pulse the relay output for 1s on the triggering of that alarm call
- have a suitable pre-alarm delay such that the carer is able to reach the LL4000+ and cancel the alarm before the LL4000+ begins to dial the alarm recipient.

If the LL4000+ is to be configured using local programming the relevant parameter numbers and digit values are given below: -

Parameter	Description	Pre-alarm delay digits	Pre-alarm delay value e.g. 30 seconds	Relay operation digits	Required value for pager operation
58	Hard wired input	9,10	30	14,15,16	401
134	Red button	1,2	30	6,7,8	401
139	Information call	1,2	30	6,7,8	401
145	Inactivity	1,2	30	6,7,8	401
146	Intruder	1,2	30	6,7,8	401
431	Trigger 1	9,10	30	14,15,16	401
433	Trigger 2	9,10	30	14,15,16	401
430 + (2n - 1)	Trigger n	9,10	30	14,15,16	401

**Licensing of Equipment**

A licence must be obtained for the pager system from OFCOM – Details can be obtained from <http://www.ofcom.org.uk/>

**User Instructions**

Each Pager Receiver is supplied with a comprehensive instruction booklet. This manual contains simplified user instructions that should be carried out with reference to the diagram below.

